



Double-leaf, glazed security door with full panic function – Series S6es

Panic function plus forced entry resistance up to RC4



Security doors
enabling access –
securing protection

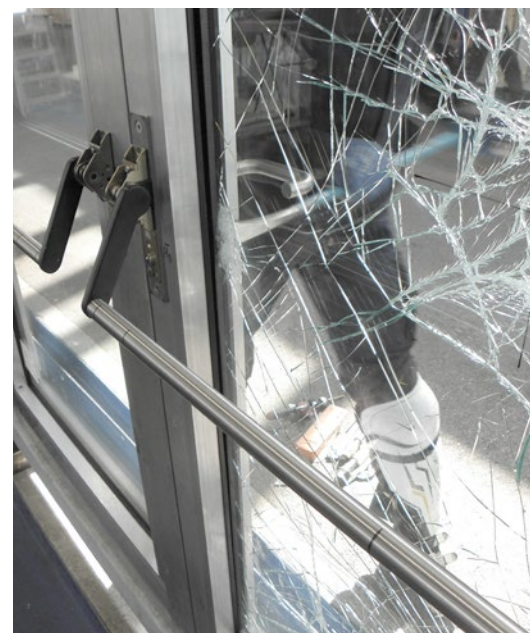
This new double-leaf, fully glazed security door is the first solution in the market offering a combination of full panic function with high forced entry resistance up to security class RC4.

In the case of emergency, it enables escaping persons to leave the building barrier-free through the full width of the two opened door wings. The system is automatically re-locked immediately after each opening procedure and meets the strict requirements of high forced entry resistance. It may additionally be combined with higher bullet and blast resistance features.

Facts at a glance

The double-leaf full panic aluminium door with forced entry resistance up to RC4 has been designed as a highly elegant solution for functionally complex emergency doors used in the interior design or the façades of buildings. Anti-panic-locks and other special fittings and components used in the design comply with European Norms DIN EN 179 and DIN EN 1125. The system therefore can be applied in emergency escape routes that by the building laws have to be kept unlocked from the inside out in order to enable escaping persons to immediately leave the building through the full width of the double door by simply pressing the handle or panic bar.

The new solution custom developed by SÄLZER features a unique composition of frame construction, glass and hardware that enables two main technical functions: the simultaneous opening of all locks in the case of panic and the tested, proven and certified forced entry resistance up to RC4, which in closed position keeps the door securely locked against forced entry attempts from the outside.



› Forced entry resistance norm DIN EN 1627-1630

The security class RC4 ensures a high degree of certified forced entry resistance. Standardized tests carried out by neutral registered institutions are based on the criminal profile of experienced burglars, using series impact tools such as saws, axe, crowbar, hammer and chisel and cordless power tools.

› Design and locking systems

The double-leaf full panic security door in RC4 may be adapted to any style in modern, transparent façade and interior building design by a wide choice of design options. Full door automation, operational comfort and barrier-free opening are additional features which may be included by the individual configuration with electrical and electro-mechanical locks as well as various access control systems.

Primary functions and certifications



› Forced entry resistance

tested and certified according to DIN EN 1627-1630 in security classes RC3 and RC4



› Full panic function

through the equipment with anti-panic-locks and other security components according to the demands of regulations DIN EN 179 | DIN EN 1125



› Durability testing

according to DIN EN 1191 with 500.000 opening and closing operations (category 'highly frequented doors') and certified according to DIN EN 12400

Combinable additional security features



- › **Bullet resistance**
tested according to DIN EN 1522-1523 up to security class FB4-NS



- › **Blast resistance**
proven by tests with up to 500kg of explosives, shock tube tests with positive peak pressures up to 357 kPa, classified according to ISO 16933 and GSA-TS01-2003 class ISO B and GSA2

- › **Further technical specifications:**

- optional with or without door automatic operator, reliable also at strong wind pressure and in combination with heavy door wings
- door closers with integrated closing sequence control
- profile depth: 115mm

- › **Glazing:**

- specially developed glazings integrating polycarbonate layers, maximum thickness of glazing units up to 80mm
- dry glazing (no extra adhesion required) for the necessary glass rebate ventilation

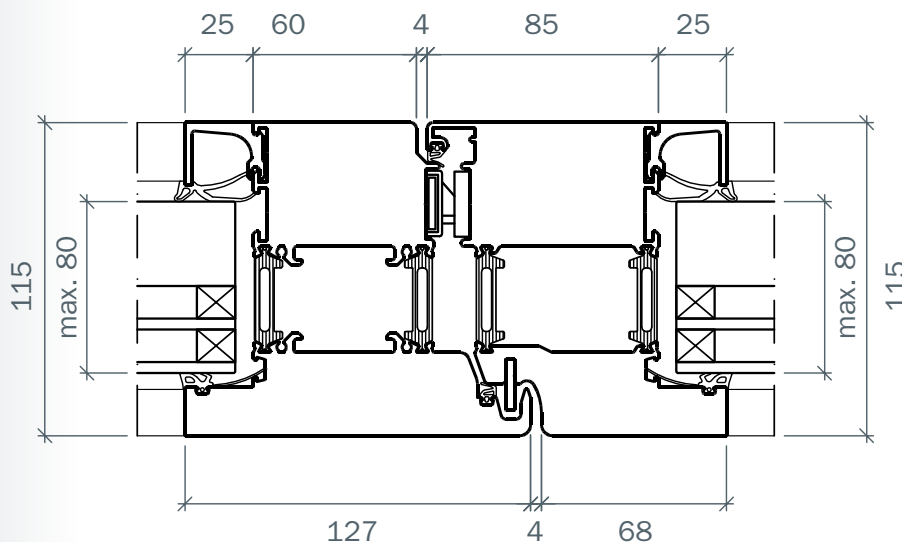
Design examples



- › **Double glazed aluminium door with top and side panels,**
combinable and compatible with all products within the SYSTEM SÄLZER® (façades, windows, partition walls etc.)

Series S6es – Aluminium doors

Horizontal section (medium stop collar - double-leaf door) – outward opening



SÄLZER double-leaf, fully glazed security door with full panic function – Product benefits

The new product enables the planning, design and construction of spacious and highly transparent escape ways in buildings without compromising high forced entry resistance.

Highest possible flexibility in design is combined with a barrier-free escape way solution using the full width of a double-leaf security door system.

Excellent technical characteristics in building physics enable application in interior design and most of all in building façades.

Building physics according to DIN EN 14351-1

Besides their high security SÄLZER security doors Series S6es comply with all requirements in building physics according to DIN EN 14351 and are CE marked.



Resistance against wind load
Depending on the type of door
up to class C5, 2.000Pa



Water tightness
Depending on the type of door
up to class E750



Air permeability
Depending on the type of door
up to level 4



Impact resistance
Depending on the type of door
up to level 5



Thermal insulation
Depending on the type of door
up to U_D 1,4W/m²K

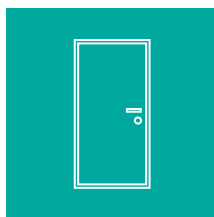
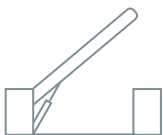


Sound insulation
Depending on the type of door
up to R_w 47dB



Life cycle test
Depending on the type of door
up to 500.000 cycles with 350kg
leaf weight

SYSTEM SÄLZER® – Systemized security



SÄLZER GmbH
Dietrich-Bonhoeffer-Str. 1-3
35037 Marburg, Germany

Switchboard: +49 (0) 6421 938 100
Sales: +49 (0) 6421 938 127
Fax: +49 (0) 6421 938 190
E-Mail: info@saelzer-security.com